

WINDOWS NOT RATED FOR IMPACT.
 INSTALLATION OF THIS SYSTEM OUTSIDE THE HVHZ AREA SHALL MEET THE APPLICABLE REQUIREMENTS FOR WIND BORNE DEBRIS PROTECTION.

SERIES 9000 PVC SINGLE HUNG WINDOW

DESIGN LOAD RATINGS FOR THESE WINDOWS TO BE AS PER CHARTS SHOWN ON SHEET 2.

APPROVAL APPLIES TO SINGLE UNITS OR SIDE BY SIDE COMBINATIONS OF S.H./S.H. OR SINGLE HUNG WITH OTHER WINDOW TYPES IN MODULES OF TWO OR MORE WINDOWS USING F.B.C. APPROVED MULLIONS IN BETWEEN.
 LOWER DESIGN PRESSURE FROM WINDOWS OR MULLION APPROVAL WILL APPLY TO ENTIRE SYSTEM.

THIS PRODUCT HAS BEEN DESIGNED AND TESTED TO COMPLY WITH THE REQUIREMENTS OF THE FLORIDA BUILDING CODE FOR NON HIGH VELOCITY HURRICANE ZONE.

WOOD BUCKS BY OTHERS, MUST BE ANCHORED PROPERLY TO TRANSFER LOADS TO THE STRUCTURE.

ANCHORS SHALL BE AS LISTED, SPACED AS SHOWN ON DETAILS, ANCHORS EMBEDMENT TO BASE MATERIAL SHALL BE BEYOND WALL DRESSING OR STUCCO.

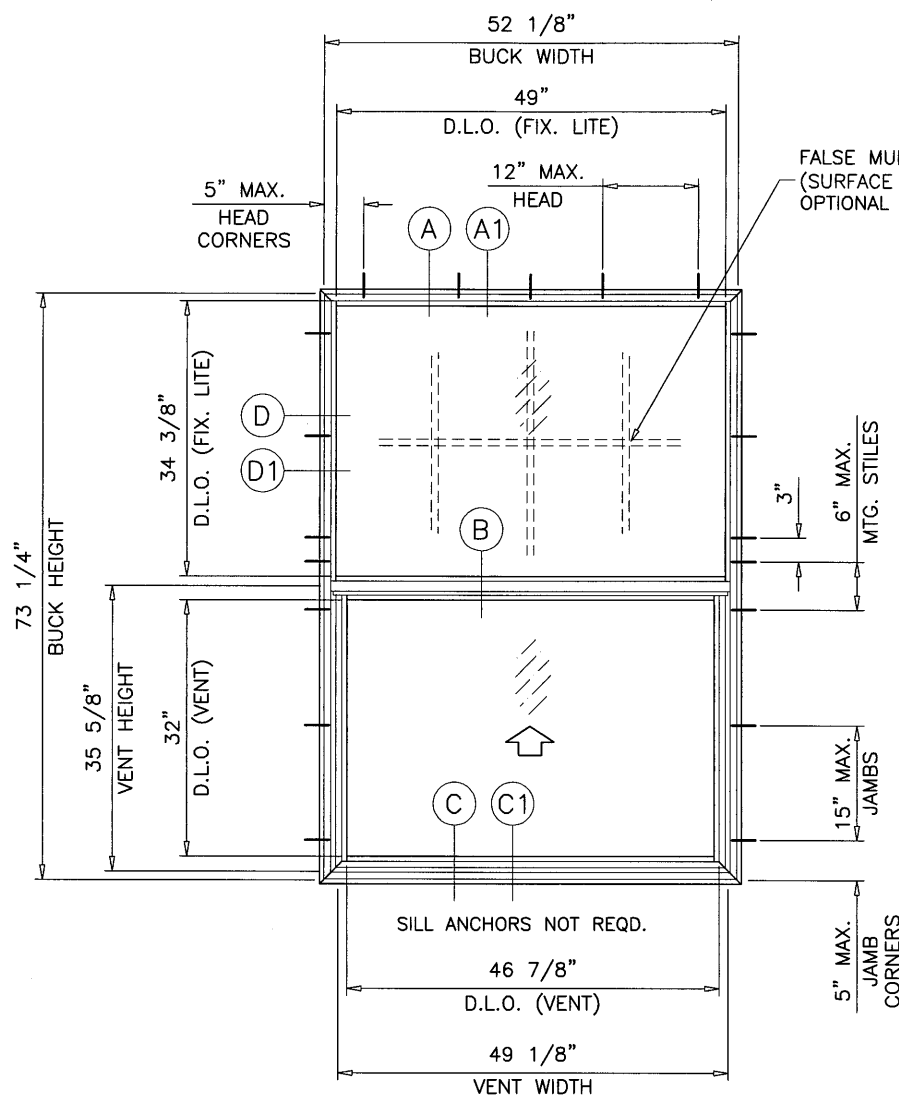
ANCHORING OR LOADING CONDITIONS NOT SHOWN IN THESE DETAILS ARE NOT PART OF THIS APPROVAL.

A LOAD DURATION INCREASE IS USED IN DESIGN OF ANCHORS INTO WOOD ONLY.

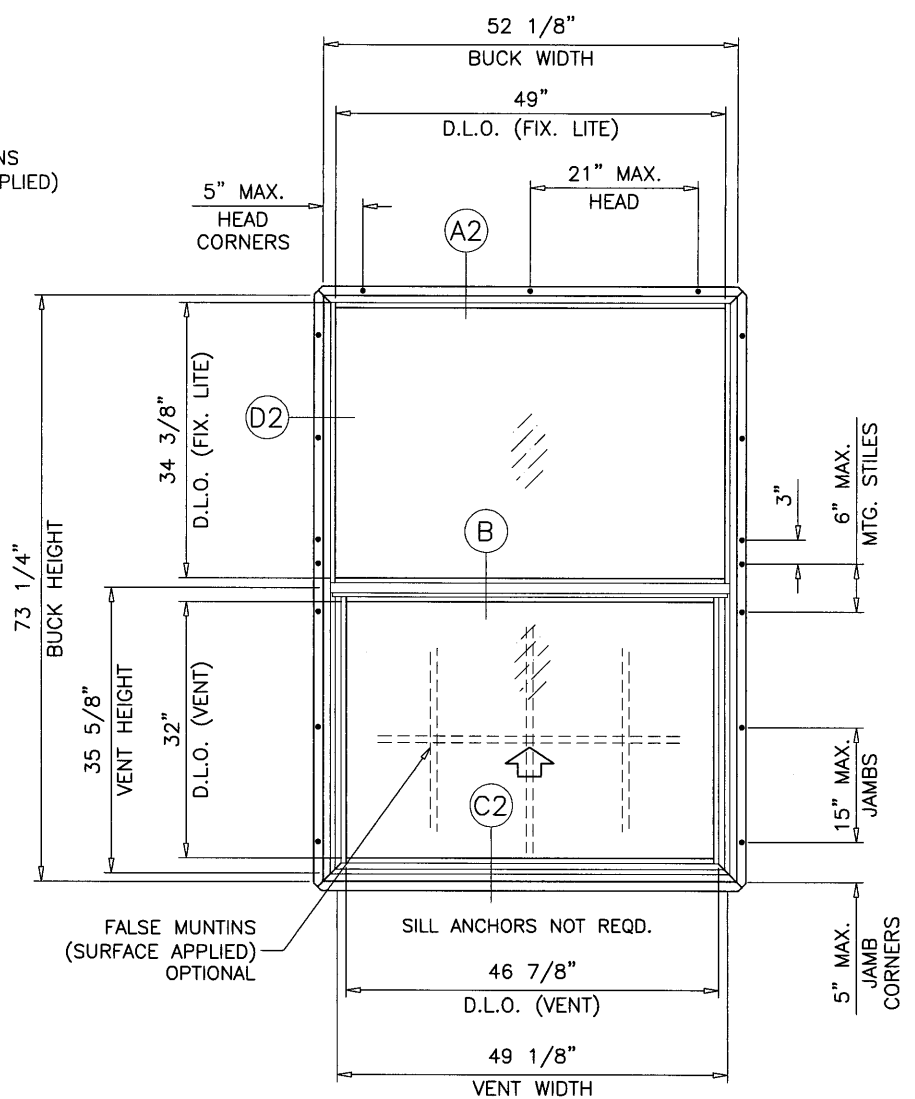
ALL SHIMS TO BE HIGH IMPACT, NON-METALLIC AND NON-COMPRESSIBLE.

MATERIALS INCLUDING BUT NOT LIMITED TO STEEL/METAL SCREWS, THAT COME INTO CONTACT WITH OTHER DISSIMILAR MATERIALS SHALL MEET THE REQUIREMENTS OF THE FLORIDA BUILDING CODE.

MANUFACTURER'S LABEL SHALL BE LOCATED ON A READILY VISIBLE LOCATION IN ACCORDANCE WITH SECTION 1710.8.3 OF FLORIDA BUILDING CODE. LABELING TO COMPLY WITH SECTION 1710.8.2.



FLANGE & FLUSH FRAME



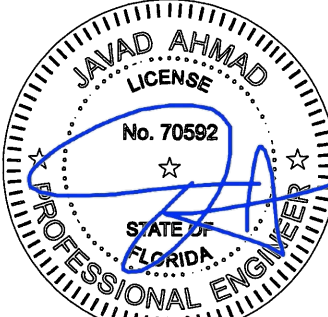
FIN FRAME

TYPICAL ELEVATION

- A- THIS PRODUCT EVALUATION DOCUMENT (P.E.D.) PREPARED BY THIS ENGINEER IS GENERIC AND DOES NOT PROVIDE INFORMATION FOR A SITE SPECIFIC PROJECT; i.e. WHERE THE SITE CONDITIONS DEVIATE FROM THE P.E.D.
- B- CONTRACTOR TO BE RESPONSIBLE FOR THE SELECTION, PURCHASE AND INSTALLATION OF THIS PRODUCT BASED ON THIS PRODUCT EVALUATION PROVIDED HE/SHE DOES NOT DEVIATE FROM THE CONDITIONS DETAILED ON THIS DOCUMENT.
- C- THIS PRODUCT EVALUATION DOCUMENT WILL BE CONSIDERED INVALID IF ALTERED BY ANY MEANS.
- D- SITE SPECIFIC PROJECTS SHALL BE PREPARED BY A FLORIDA REGISTERED ENGINEER OR ARCHITECT WHICH WILL BECOME THE ENGINEER OF RECORD (E.O.R.) FOR THE PROJECT AND WHO WILL BE RESPONSIBLE FOR THE PROPER USE OF THE P.E.D. ENGINEER OF RECORD, ACTING AS A DELEGATED ENGINEER TO THE P.E.D. ENGINEER SHALL SUBMIT TO THIS LATTER THE SITE SPECIFIC DRAWINGS FOR REVIEW.
- E- THIS P.E.D. SHALL BEAR THE DATE AND ORIGINAL SEAL AND SIGNATURE OF THE PROFESSIONAL ENGINEER OF RECORD THAT PREPARED IT.

**INSULATING GLASS
NON IMPACT**

FL #15490



afc
AL-FAROOQ CORPORATION
 ENGINEERS & PRODUCT DEVELOPMENT
 1235 S.W. 87 AVE
 MIAMI, FLORIDA 33174
 TEL. (305) 264-8100 FAX. (305) 262-6978
 COMP-ANL W12-15TWS

SERIES 9000 PVC SINGLE HUNG WDW. (N.I.)
AWP WINDOWS AND DOORS, LLC
 8130 N.W. 74TH AVE.
 MEDLEY, FL. 33166
 TEL. (305) 887-2646 FAX (305) 883-1309

no	date	description
A	10.06.15	GENERAL REV.

revisions:

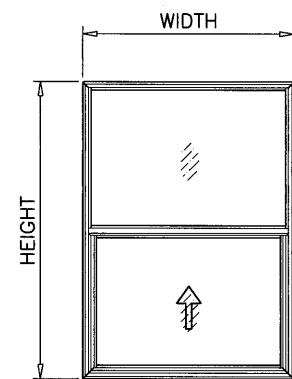
date: 04-19-12
 scale: 1/2" = 1'-0"
 dr. by: HAMID
 chk. by:

drawing no.
W12-15

sheet 1 of 7

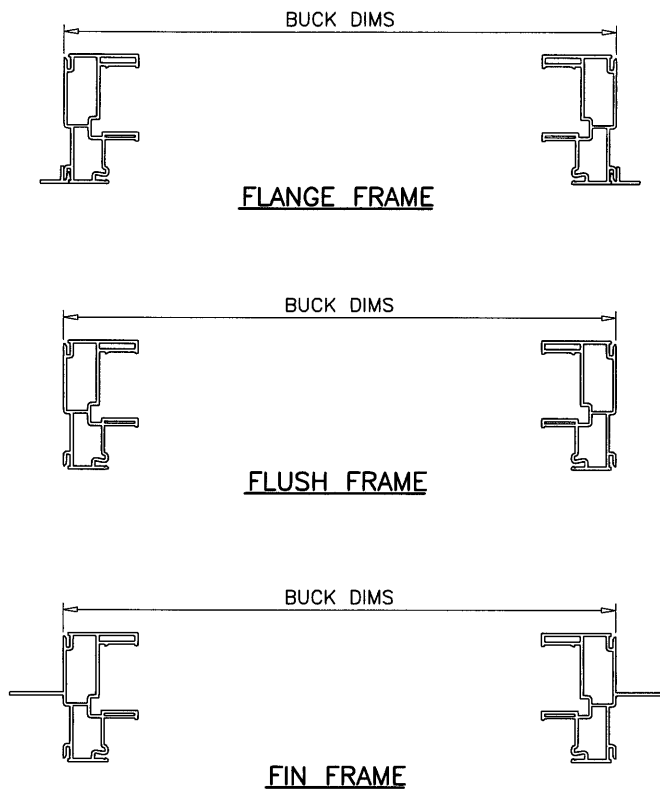
EQUAL LITES WINDOWS FLANGE AND FLUSH FRAMES			
DESIGN LOAD CAPACITY - PSF			
BUCK DIMS.		3/4" OVERALL INSUL. GLASS	
WIDTH	HEIGHT	EXT.(+)	INT.(-)
18-1/8"	25" (5)	40.0	68.0
25-1/2"		40.0	68.0
31"		40.0	68.0
36"		40.0	68.0
41"		40.0	68.0
47"		40.0	68.0
52-1/8"		40.0	66.3
18-1/8"	37-3/8" (5)	40.0	68.0
25-1/2"		40.0	68.0
31"		40.0	68.0
36"		40.0	64.2
41"		40.0	56.4
47"		40.0	49.2
52-1/8"		40.0	44.3
18-1/8"	49-5/8" (7)	40.0	68.0
25-1/2"		40.0	68.0
31"		40.0	68.0
36"		40.0	67.7
41"		40.0	59.5
47"		40.0	51.9
52-1/8"		40.0	46.8
18-1/8"	62" (9)	40.0	68.0
25-1/2"		40.0	68.0
31"		40.0	68.0
36"		40.0	68.0
41"		40.0	61.2
47"		40.0	50.7
52-1/8"		40.0	43.6
18-1/8"	73-1/4" (9)	40.0	68.0
25-1/2"		40.0	68.0
31"		40.0	68.0
36"		40.0	59.0
41"		40.0	51.8
47"		40.0	45.2
52-1/8"		40.0	40.0

NO. IN PARENTHESIS INDICATE NUMBER OF ANCHORS PER JAMB.



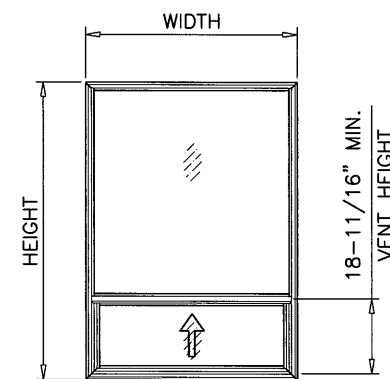
EQUAL LITES

EQUAL LITES WINDOWS FIN FRAME			
DESIGN LOAD CAPACITY - PSF			
BUCK DIMS.		3/4" OVERALL INSUL. GLASS	
WIDTH	HEIGHT	EXT.(+)	INT.(-)
18-1/8"	25"	40.0	68.0
25-1/2"		40.0	68.0
31"		40.0	68.0
36"		40.0	68.0
41"		40.0	68.0
47"		40.0	68.0
52-1/8"		40.0	68.0
18-1/8"	37-3/8" (5)	40.0	68.0
25-1/2"		40.0	68.0
31"		40.0	68.0
36"		40.0	68.0
41"		40.0	68.0
47"		40.0	68.0
52-1/8"		40.0	62.0
18-1/8"	49-5/8" (7)	40.0	68.0
25-1/2"		40.0	68.0
31"		40.0	68.0
36"		40.0	68.0
41"		40.0	68.0
47"		40.0	57.7
52-1/8"		40.0	50.3
18-1/8"	62" (9)	40.0	68.0
25-1/2"		40.0	68.0
31"		40.0	68.0
36"		40.0	68.0
41"		40.0	62.7
47"		40.0	50.7
52-1/8"		40.0	43.6
18-1/8"	73-1/4" (9)	40.0	68.0
25-1/2"		40.0	68.0
31"		40.0	68.0
36"		40.0	68.0
41"		40.0	59.6
47"		40.0	47.1
52-1/8"		40.0	40.0

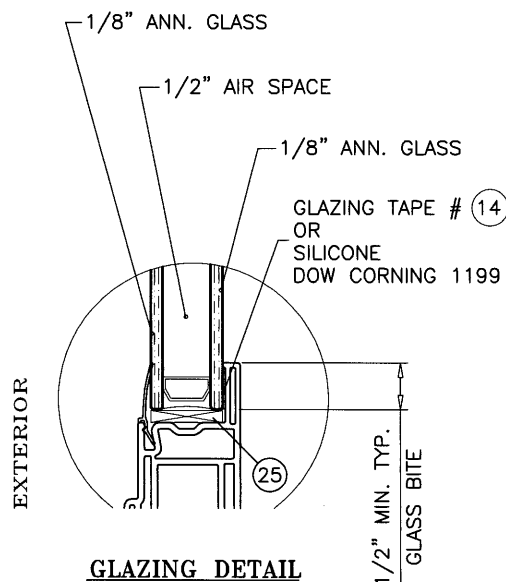


UNEQUAL LITES WINDOWS FLANGE AND FLUSH FRAMES			
DESIGN LOAD CAPACITY - PSF			
BUCK DIMS.		3/4" OVERALL INSUL. GLASS	
WIDTH	HEIGHT	EXT.(+)	INT.(-)
18-1/8"	49-5/8" (7)	40.0	68.0
25-1/2"		40.0	68.0
31"		40.0	68.0
36"		40.0	67.7
41"		40.0	59.5
47"		40.0	51.9
52-1/8"		40.0	46.8
18-1/8"	62" (9)	40.0	68.0
25-1/2"		40.0	68.0
31"		40.0	68.0
36"		40.0	68.0
41"		40.0	61.2
18-1/8"	73-1/4" (9)	40.0	68.0
25-1/2"		40.0	67.0
31"		40.0	65.2

NO. IN PARENTHESIS INDICATE NUMBER OF ANCHORS PER JAMB.

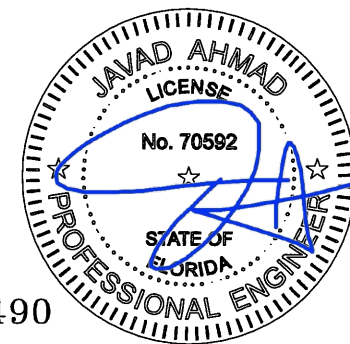


UNEQUAL LITES (ORIEL TYPE)



NOTE:
GLASS CAPACITIES ON THIS SHEET ARE
BASED ON ASTM E1300-09 (3 SEC. GUSTS)
AND FLORIDA BUILDING COMMISSION
DECLARATORY STATEMENT DCA05-DEC-219

FL #15490



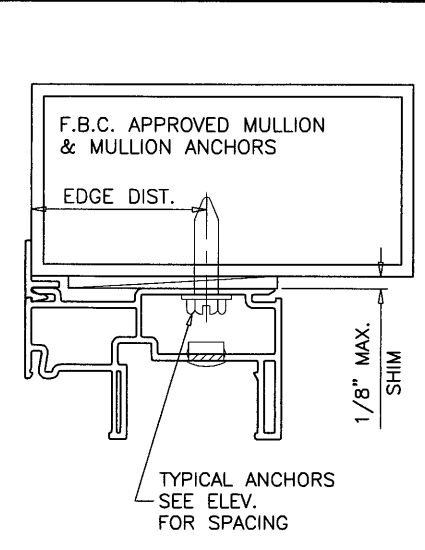
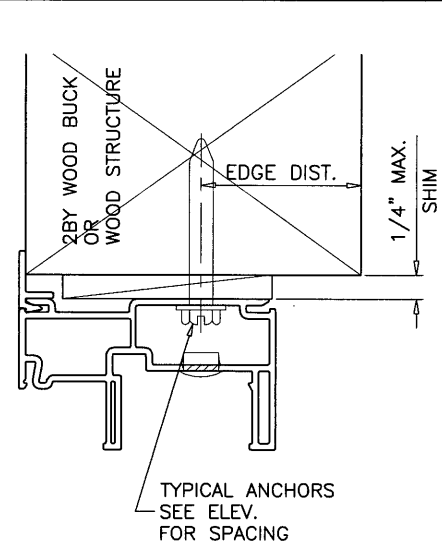
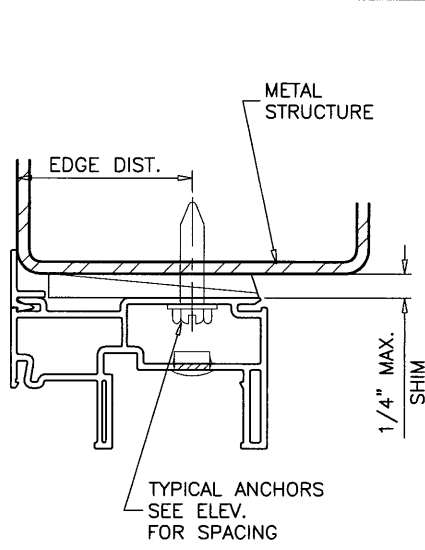
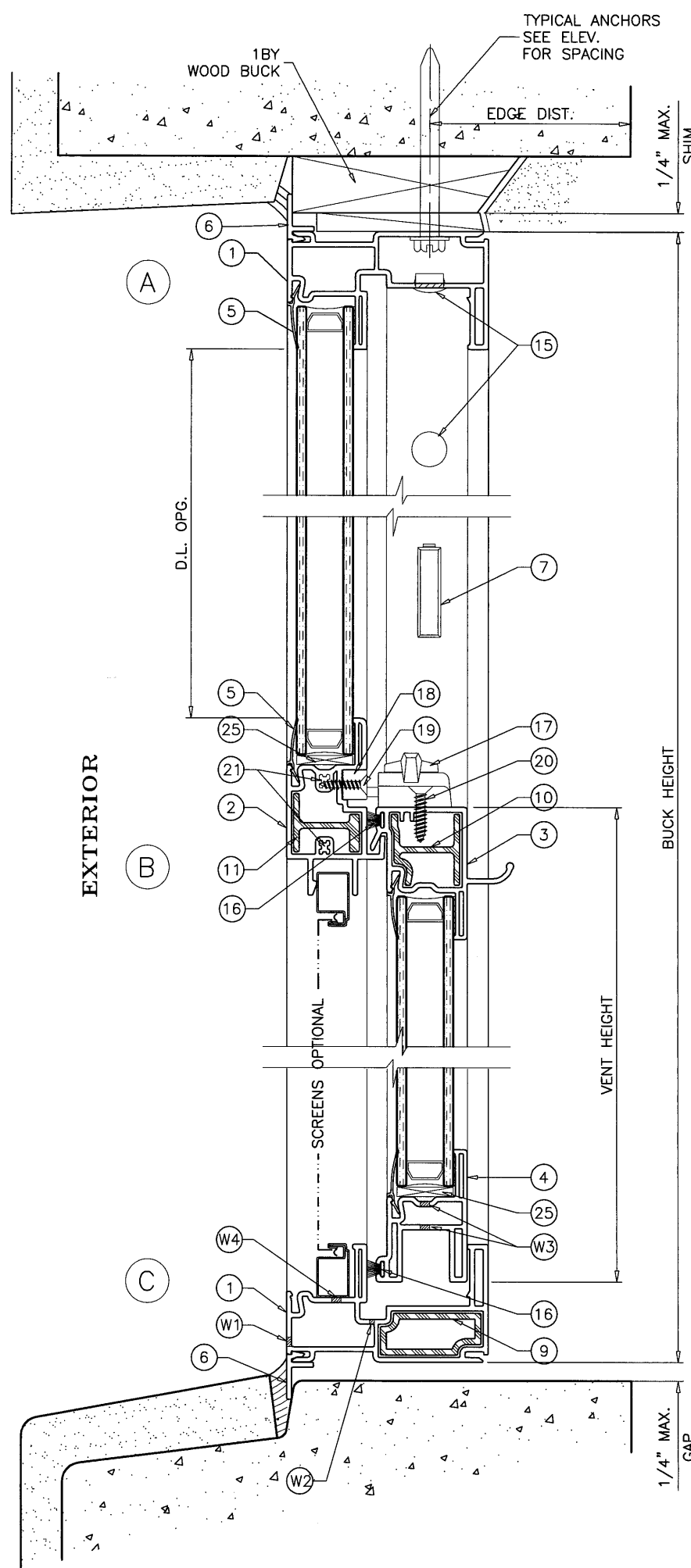
afC
AL-FAROOQ CORPORATION
ENGINEERS & PRODUCT DEVELOPMENT
1235 S.W. 87 AVE
MIAMI, FLORIDA 33174
TEL. (305) 264-8100 FAX. (305) 262-6978
COMP-ANL\W12-15TWS

SERIES 9000 PVC SINGLE HUNG WDW. (N.I.)
AWP WINDOWS AND DOORS, LLC
8130 N.W. 74TH AVE.
MEDLEY, FL. 33166
TEL. (305) 887-2646 FAX (305) 883-1309

revisions:	no	date	by	description

date: 04-19-12	scale: 1/2" = 1"
dr. by: HAMID	chk. by:

drawing no.	W12-15
sheet	2 of 7



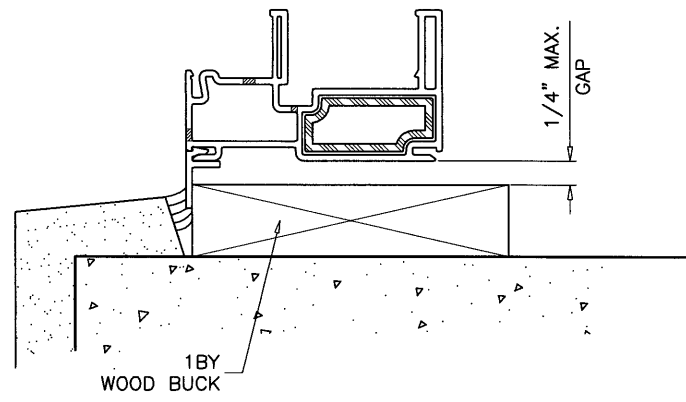
WOOD BUCKS AND METAL STRUCTURE NOT BY AWP WINDOWS MUST SUSTAIN LOADS IMPOSED BY GLAZING SYSTEM AND TRANSFER THEM TO THE BUILDING STRUCTURE.

SEALANTS:

FRAME, VENT CORNERS AND FIX. RAIL ENDS SEALED WITH WHITE/ALUMINUM COLORED SEALANT.

WEEPHOLES:

- W1 = 1/8 x 1/2" LONG WEEP SLOT, 2-3/16" FROM EACH FRAME END TO WEEP SLOT C.L.
- W2 = 1/16 x 11/16" LONG WEEP SLOT, 2-3/4" FROM EACH FRAME END TO WEEP SLOT C.L.
- W3 = 1/8 x 1/2" LONG WEEP SLOT, 3-1/8" FROM EACH SASH END TO WEEP SLOT C.L.
- W4 = ø1/8" WEEP HOLE, 4-1/2" FROM EACH CORNER TO WEEP HOLE C.L.



TYPICAL ANCHORS: SEE ELEV. FOR SPACING

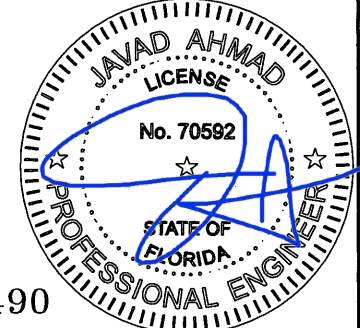
- 1/4" DIA. TAPCON BY 'ITW' (Fu=125 KSI, Fy=100 KSI)
- 1/4" DIA. ULTRACON BY 'ELCO' (Fu=177 KSI, Fy=155 KSI)
- INTO 2BY WOOD BUCKS OR WOOD STRUCTURES 1-1/2" MIN. PENETRATION INTO WOOD (HEAD/JAMBS)
- THRU 1BY BUCKS INTO CONC. OR MASONRY 1-1/4" MIN. EMBED INTO CONCRETE (HEAD) 1-1/4" MIN. EMBED INTO CONC. OR MASONRY (JAMBS)
- DIRECTLY INTO CONC. OR MASONRY 1-1/4" MIN. EMBED INTO CONCRETE (HEAD) 1-1/4" MIN. EMBED INTO CONC. OR MASONRY (JAMBS)

- #12 SMS OR SELF DRILLING SCREWS (GRADE 2 CRS)
- INTO F.B.C. APPROVED MULLIONS (MIN. THK. = 1/8")
- INTO METAL STRUCTURES STEEL : 1/8" THK. MIN. (Fy = 36 KSI MIN.) ALUMINUM : 1/8" THK. MIN. (6063-T5 MIN.) (STEEL IN CONTACT WITH ALUMINUM TO BE PLATED OR PAINTED)

TYPICAL EDGE DISTANCE

- INTO CONCRETE AND MASONRY = 2" MIN.
- INTO WOOD STRUCTURE = 1" MIN.
- INTO METAL STRUCTURE = 3/4" MIN.

- WOOD AT HEAD, SILL OR JAMBS SG = 0.55 MIN.
- CONCRETE AT HEAD, SILL OR JAMBS f'c = 3000 PSI MIN.
- C-90 GROUT FILLED BLOCK AT JAMBS f'm = 2000 PSI MIN.



FL #15490

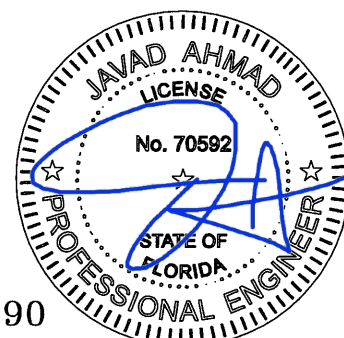
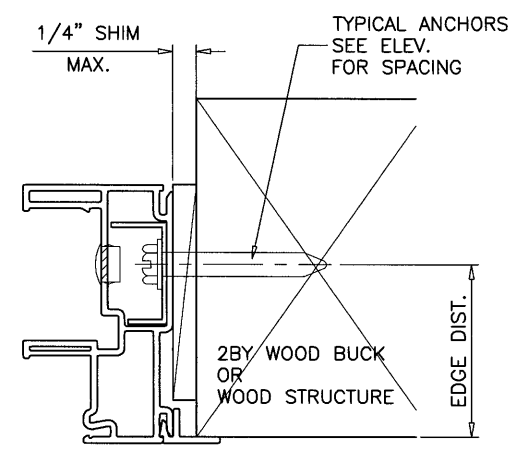
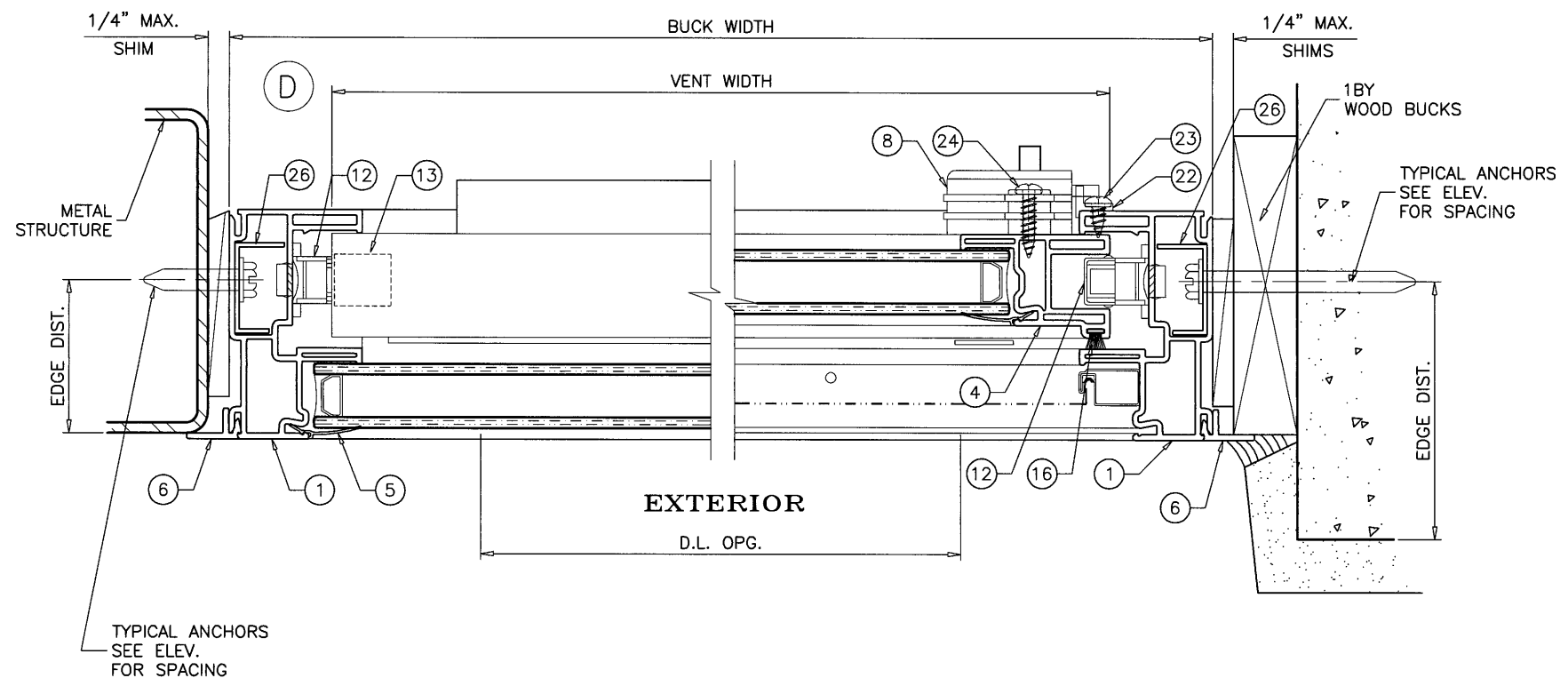
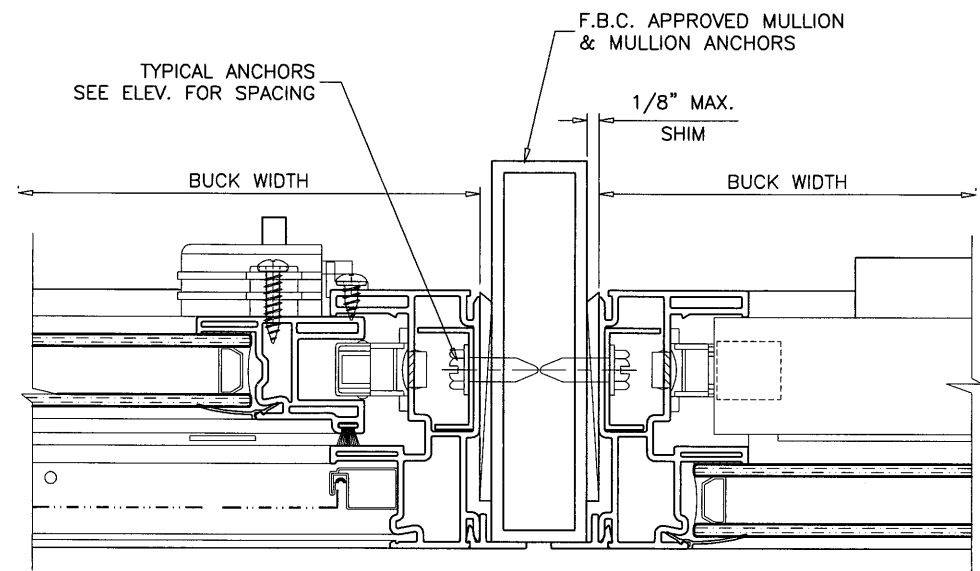
af c
AL-FAROOQ CORPORATION
 ENGINEERS & PRODUCT DEVELOPMENT
 1235 S.W. 87 AVE
 MIAMI, FLORIDA 33174
 TEL. (305) 264-8100 FAX. (305) 262-6978
 COMP-ANL\W12-15TWS

SERIES 9000 PVC SINGLE HUNG WDW. (N.I.)
AWP WINDOWS AND DOORS, LLC
 8130 N.W. 74TH AVE.
 MEDLEY, FL. 33166
 TEL. (305) 887-2646 FAX (305) 883-1309

no	date	by	description

date: 04-19-12
 scale: 1/2" = 1"
 dr. by: HAMID
 chk. by:

drawing no.
W12-15
 sheet 3 of 7



FL #15490

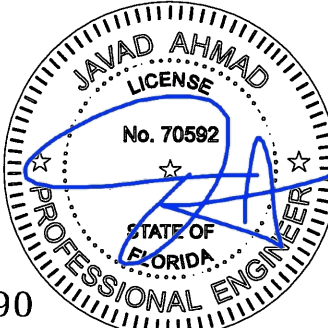
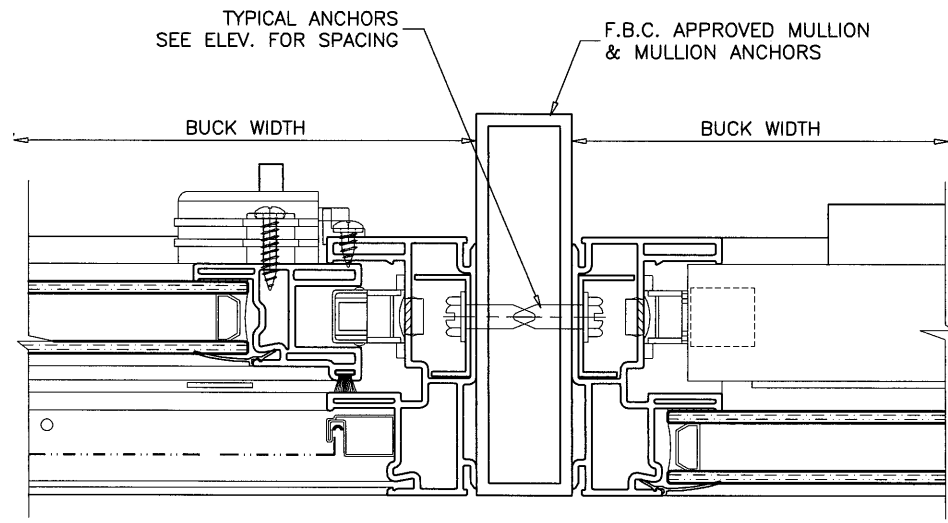
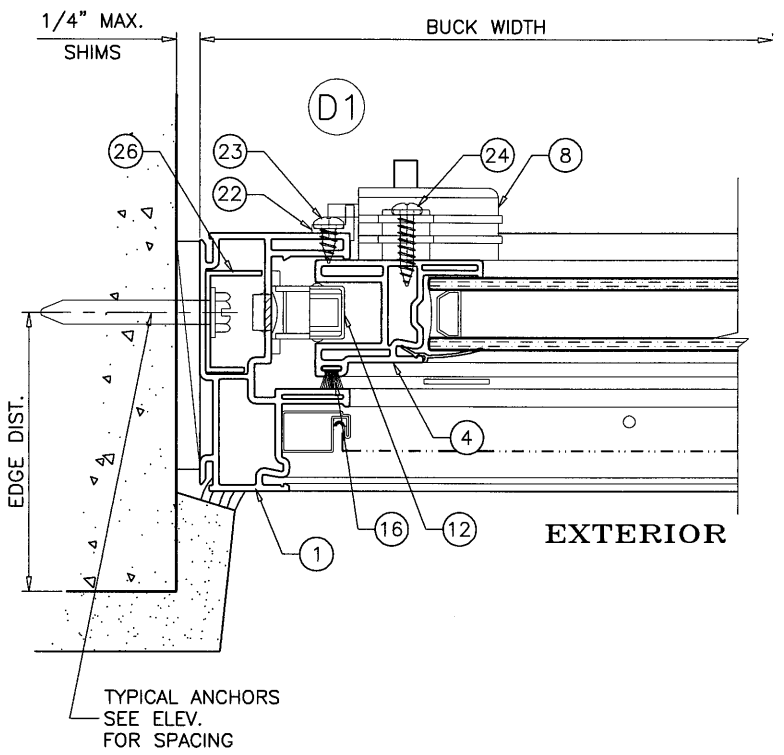
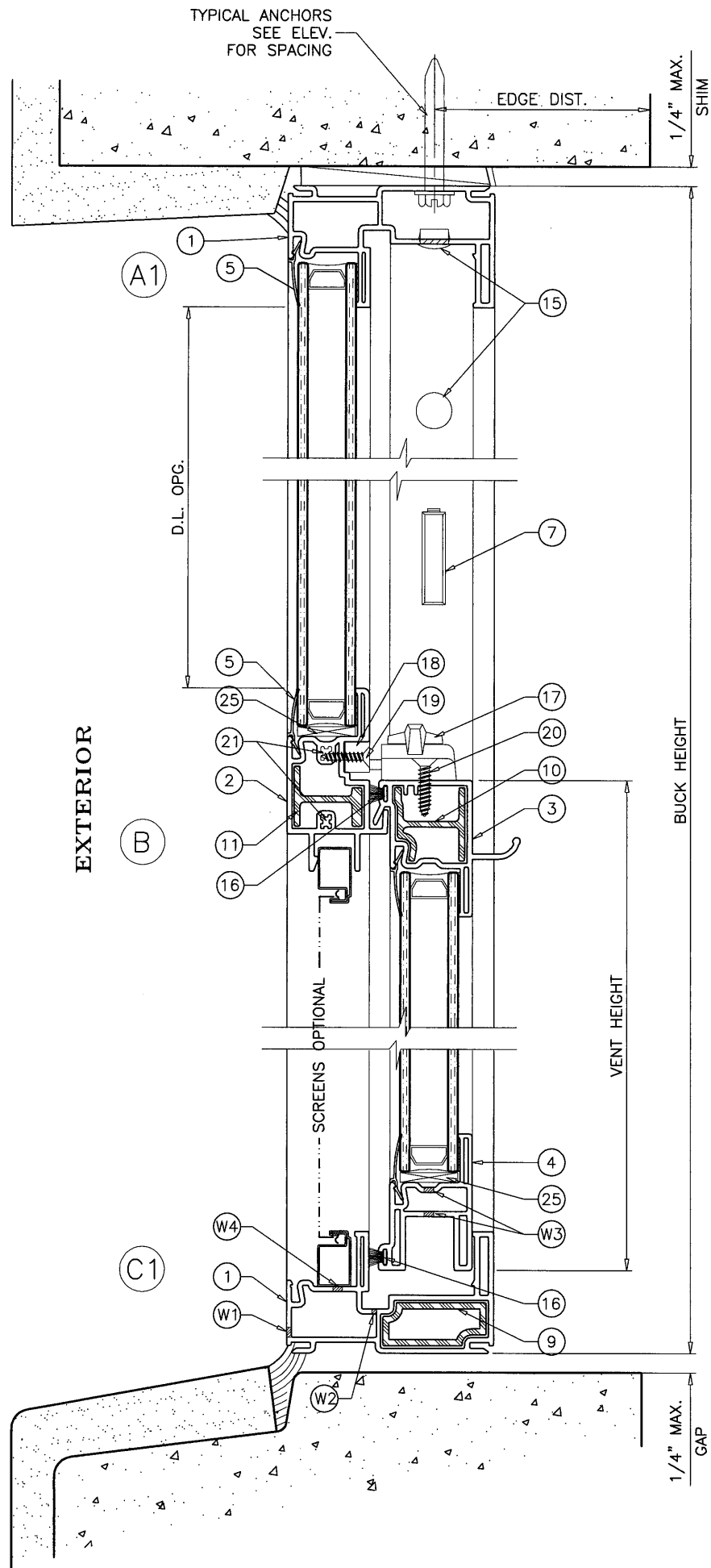
afc
AL-FAROOQ CORPORATION
 ENGINEERS & PRODUCT DEVELOPMENT
 1235 S.W. 87 AVE
 MIAMI, FLORIDA 33174
 TEL. (305) 264-8100 FAX. (305) 262-6978
 COMP-ANL\W12-15TWS

SERIES 9000 PVC SINGLE HUNG WDW. (N.I.)
AWP WINDOWS AND DOORS, LLC
 8130 N.W. 74TH AVE.
 MEDLEY, FL. 33166
 TEL. (305) 887-2646 FAX (305) 883-1309

no	date	by	description

date: 04-19-12
 scale: 1/2" = 1"
 dr. by: HAMID
 chk. by:

drawing no.
W12-15
 sheet 4 of 7



FL #15490

Signed 10/28/2015

afc
AL-FAROOQ CORPORATION
 ENGINEERS & PRODUCT DEVELOPMENT
 1235 S.W. 87 AVE
 MIAMI, FLORIDA 33174
 TEL. (305) 264-8100 FAX. (305) 262-6978
 COMP-ANL W12-15TWS

SERIES 9000 PVC SINGLE HUNG WDW. (N.I.)
AWP WINDOWS AND DOORS, LLC
 8130 N.W. 74TH AVE.
 MEDLEY, FL. 33166
 TEL. (305) 887-2646 FAX (305) 883-1309

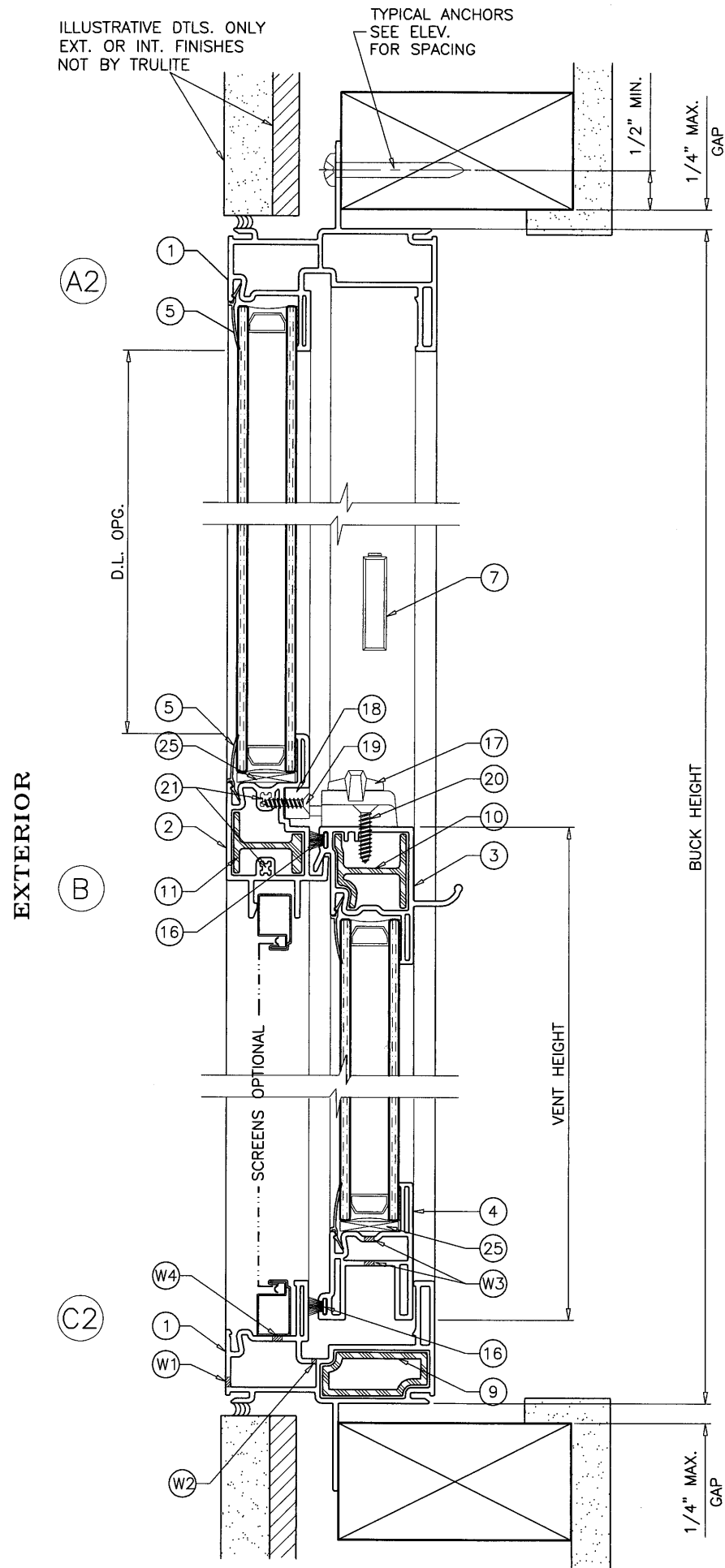
no	date	by description

date: 04-19-12
 scale: 1/2" = 1"
 dr. by: HAMID
 chk. by:

drawing no.
W12-15
 sheet 5 of 7

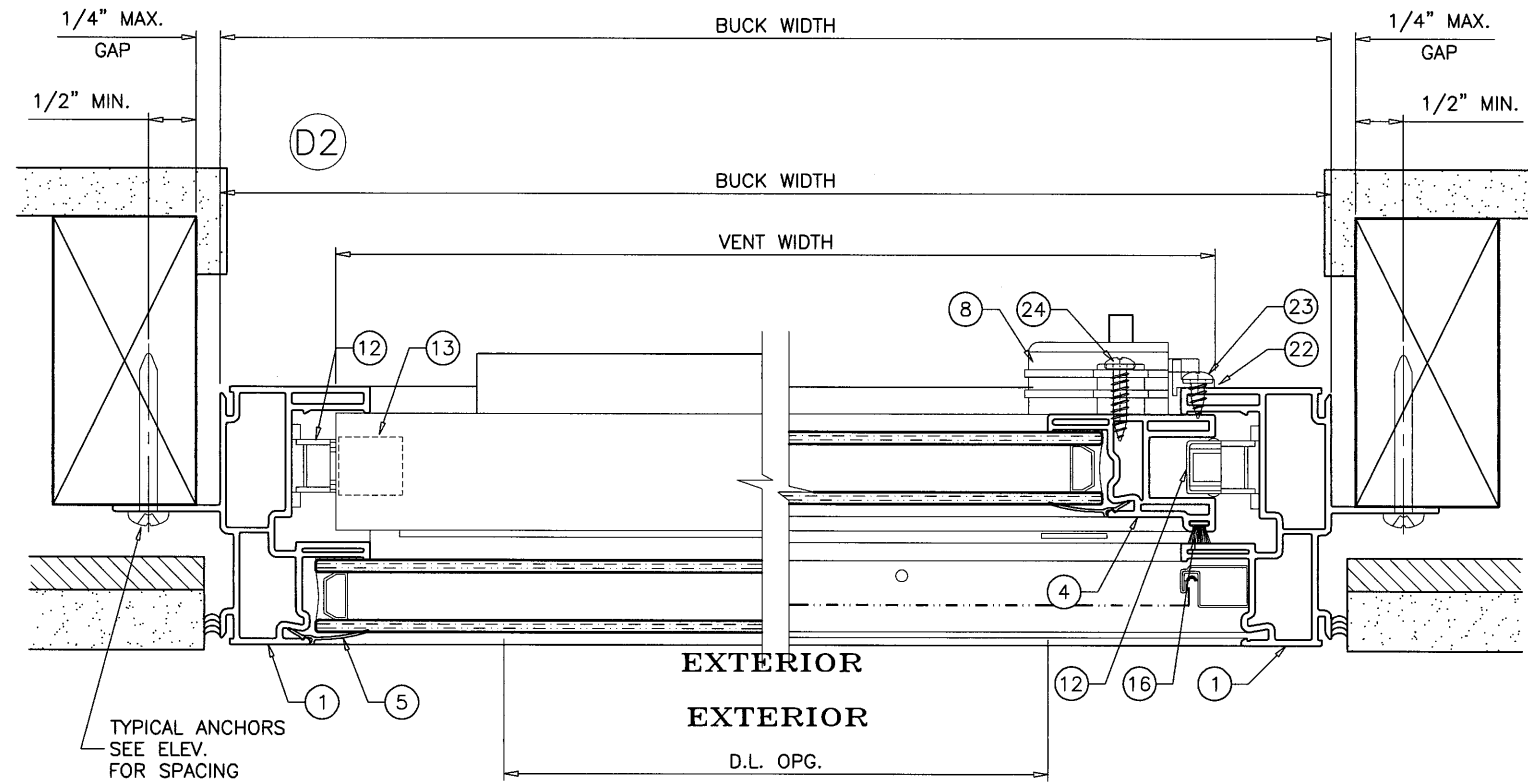
ILLUSTRATIVE DTLS. ONLY
EXT. OR INT. FINISHES
NOT BY TRULITE

TYPICAL ANCHORS
SEE ELEV.
FOR SPACING

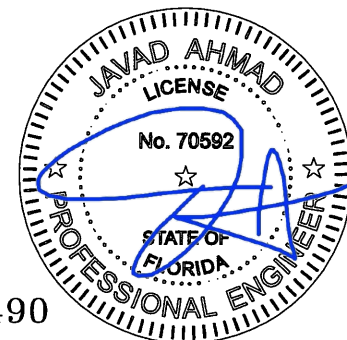


TYPICAL ANCHORS: SEE ELEV. FOR SPACING

#12 SMS (GRADE 2 CRS)
INTO 2BY WOOD BUCKS OR WOOD STRUCTURES
1-1/2" MIN. PENETRATION INTO WOOD



FL #15490



Signed 10/28/2015

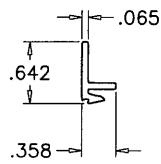
af c
AL-FAROOQ CORPORATION
ENGINEERS & PRODUCT DEVELOPMENT
1235 S.W. 87 AVE
MIAMI, FLORIDA 33174
TEL. (305) 264-8100 FAX. (305) 262-6978
COMP-ANL\W12-15TWS

SERIES 9000 PVC SINGLE HUNG WDW. (N.I.)
AWP WINDOWS AND DOORS, LLC
8130 N.W. 74TH AVE.
MEDLEY, FL. 33166
TEL. (305) 887-2646 FAX (305) 883-1309

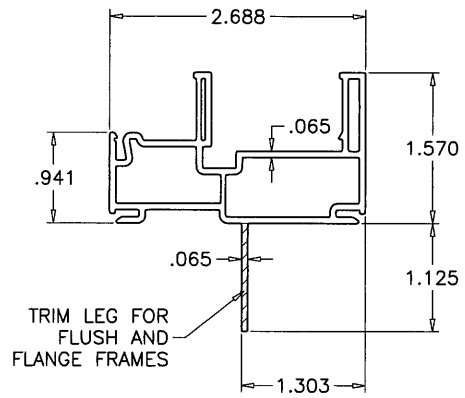
no	date	by	description

date: 04-19-12
scale: 1/2" = 1"
dr. by: HAMID
chk. by:

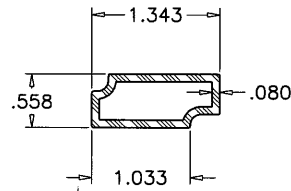
drawing no.
W12-15
sheet 6 of 7



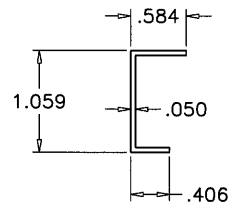
⑥ 1/2" FRAME FLANGE INSERT



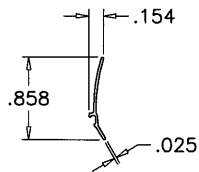
① FRAME HEAD/SILL/JAMB



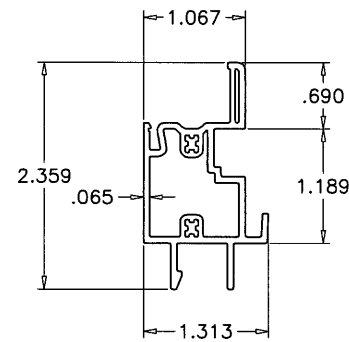
⑨ FRAME SILL REINFORCEMENT



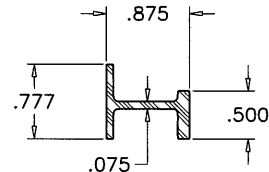
⑳ ALUM CHANNEL



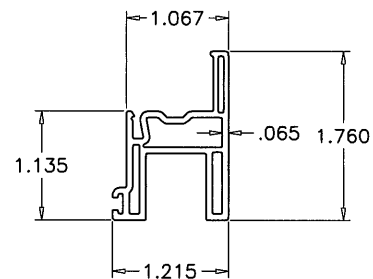
⑤ GLAZING BEAD



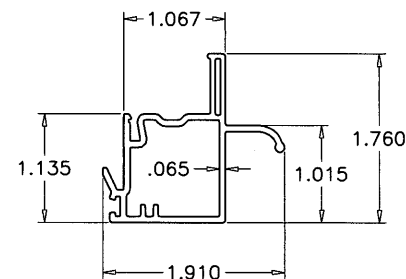
② FIX. MEETING RAIL



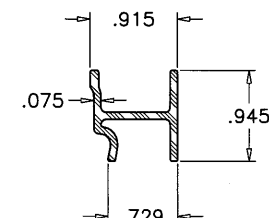
⑪ FIX. MTG. RAIL REINFORCEMENT



④ VENT BOTTOM/SIDE RAIL



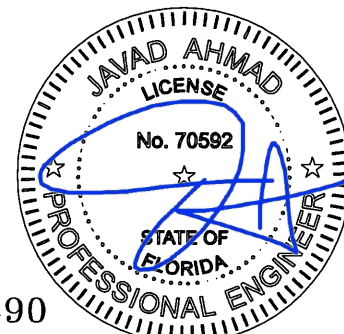
③ VENT TOP RAIL



⑩ TOP RAIL REINFORCEMENT

ITEM	PART #	QTY.	DESCRIPTION	MATERIAL	MANF./SUPPLIER/REMARKS
1	3350	4	MAIN FRAME (HEAD/JAMB/SILL)	PVC	DECEUNINCK NORTH AMERICA
2	3360	1	FIXED INTERLOCK	PVC	DECEUNINCK NORTH AMERICA
3	3365	1	SASH TOP RAIL	PVC	DECEUNINCK NORTH AMERICA
4	3366	3	SASH BOTTOM & SIDE RAIL	PVC	DECEUNINCK NORTH AMERICA
5	3190	AS REQ'D	GLAZING BEAD	PVC	DECEUNINCK NORTH AMERICA
6	8346	AS REQ'D	1/2" FRAME FLANGE INSERT	PVC	DECEUNINCK NORTH AMERICA
7	11211	2	BALANCE TAKE OUT CLIP (WHITE PVC)	-	ASHLAND HARDWARE
8	-	2/VENT	LATCH LOCK ASSY. (OPTIONAL TO SWEEP LOCK)	PVC	FOUR-JAKS
9	YE-9011	1	FRAME SILL REINFORCEMENT	6063-T6	-
10	YE-9005	1	SASH TOP RAIL REINFORCEMENT	6063-T6	-
11	YE-9008	1	FIXED INTERLOCK REINFORCEMENT	6063-T6	-
12	-	2/VENT	BLOCK & TACKLE BALANCE (86 SERIES)	-	"CALDWELL"
13	15P02	2/VENT	BALANCE CAM	PVC	-
14	YGTW 1/8	AS REQ'D.	1/2 x 1/8" THK. GLAZING TAPE (POLYOLEFIN)	-	VENTURE TAPE
15	YH-1316	AS REQ'D.	INSTALLATION HOLE PLUG	PVC	PVC
16	YH-4026	AS REQ'D.	.187" x .270" ULTRA FIN WEATHERSTRIP (SASH PERIM.)	-	"ULTRAFAB" 2841723
17	677227K26	1/VENT	SWEEP LOCK (OPTIONAL TO SASH LATCH LOCK)	CAST ZAMAK	DECO
18	677152K26	1/VENT	SWEEP LOCK KEEPER	CAST ZAMAK	DECO
19	-	2/KEEPER	#6 x 5/8" PH. F.H. SS. SWEEP LOCK KEEPER SCREW	CAD PLATED	-
20	-	2/LOCK	#8 x 3/4" PH. F.H. SS. SWEEP LOCK SCREW	S. STEEL	-
21	-	4 EACH	#8 x 1" PH. F.H. SS. FIXED MTG. RAIL SCREW	S. STEEL	-
22	-	2/VENT	LATCH LOCK KEEPER	PVC	FOUR-JAKS
23	YF-75	2/KEEPER	#8 x 3/8" PH. P.H. SMS LATCH LOCK KEEPER SCREW	S.STEEL	-
24	YF-10SS	2/LATCH	#8 x 3/4" PH. P.H. SMS LATCH LOCK SCREW	S.STEEL	-
25	-	2/LITE	2 x 3/4 x 1/8" THK. SETTING BLOCK	EPDM	DUROMETER 80±5 SHORE A
26	-	AS REQD.	ALUMINUM CHANNEL	6063-T5	-

WHITE PVC EXTRUSIONS TO BE LABELED WITH AAMA EXTRUDER CODE, EXTRUDER NAME, CITY, STATE AND 'MDCA'.



FL #15490

afc

AL-FAROOQ CORPORATION
ENGINEERS & PRODUCT DEVELOPMENT
1235 S.W. 87 AVE
MIAMI, FLORIDA 33174
TEL. (305) 264-8100 FAX. (305) 262-6978

SERIES 9000 PVC SINGLE HUNG WDW. (N.I.)
AWP WINDOWS AND DOORS, LLC
8130 N.W. 74TH AVE.
MEDLEY, FL. 33166
TEL. (305) 887-2646 FAX (305) 883-1309

no	date	by	description

date: 04-19-12
scale: 1/2" = 1"
dr. by: HAMID
chk. by:

drawing no.
W12-15
sheet 7 of 7